

CEILING BAFFLES

# POLAR



Polar is made from our in-house Ecoutex™ in 12mm thickness and available in 47 curated colours. Creating an eye-catching visual centrepiece, with its elegantly shaped open design it casts incredible architectural shadows whilst offering subtle diffusion.

For technical support or further advice, contact:  
[hello@ecousta.com](mailto:hello@ecousta.com) | +44 (0)1273 750 240

 **ecousta**  
Sustainable Acoustic Solutions

**DISCLAIMER**

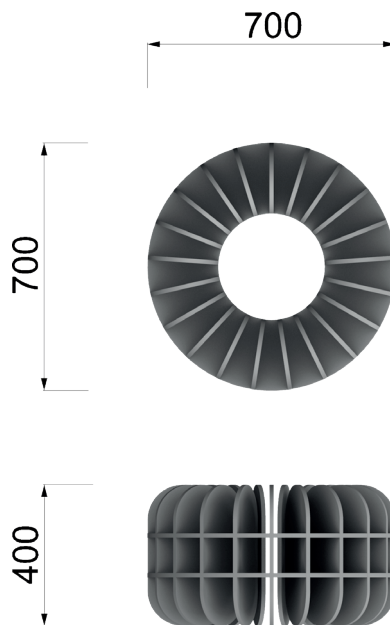
This guide is provided in good faith to assist in installation. It is not intended as a complete or prescriptive method. ECOUSTA accepts no responsibility for results due to variations in site conditions, handling or application. All health and safety standards must be observed.

# COLOUR RANGE

12mm



# SCHEMATIC



Components

- 21 x Acoustic Blades
- 2 x Structural Acoustic Blades
- 3 x Suspension Kits

# SPECIFICATIONS



## COMPOSITION

100% Polythene Terephthalate. 75% Post consumer waste, 25% virgin Bico fibre.



## DIMENSIONS

Manufactured for 12mm PET. Product dimensions subject to specification.



## COLOURS

160 Colours available. 47 colours from stock. Lead times and MOQs may apply. Light fastness: 6-7 excellent.



## ECOUTEX ACOUSTIC RESULTS

THICKNESS	RESULT TYPE	NO AIR GAP	50MM AIR GAP	100MM AIR GAP	200MM AIR GAP
12mm	aw rating	0.25	0.65	0.9	0.95
	SAA rating - NRC Replacement	0.41	0.76	0.87	0.92
	Absorption Class	E	C	A	A
24mm	aw rating	0.5	0.85	1	1
	SAA rating - NRC Replacement	0.7	0.89	0.94	0.97
	Absorption Class	D	B	A	A



## FIRE & HEAT

### Fire retardant:

EN 13501-1: 2018 Classification

B-s1, d0

Recommended Service Temp: Up to 80°C

COMPREHENSIVE TECHNICAL DOCUMENTATION ON REQUEST

For technical support or further advice, contact:

[hello@ecousta.com](mailto:hello@ecousta.com) | +44 (0)1273 750 240



### DISCLAIMER

This guide is provided in good faith to assist in installation. It is not intended as a complete or prescriptive method. ECOUSTA accepts no responsibility for results due to variations in site conditions, handling or application. All health and safety standards must be observed.

