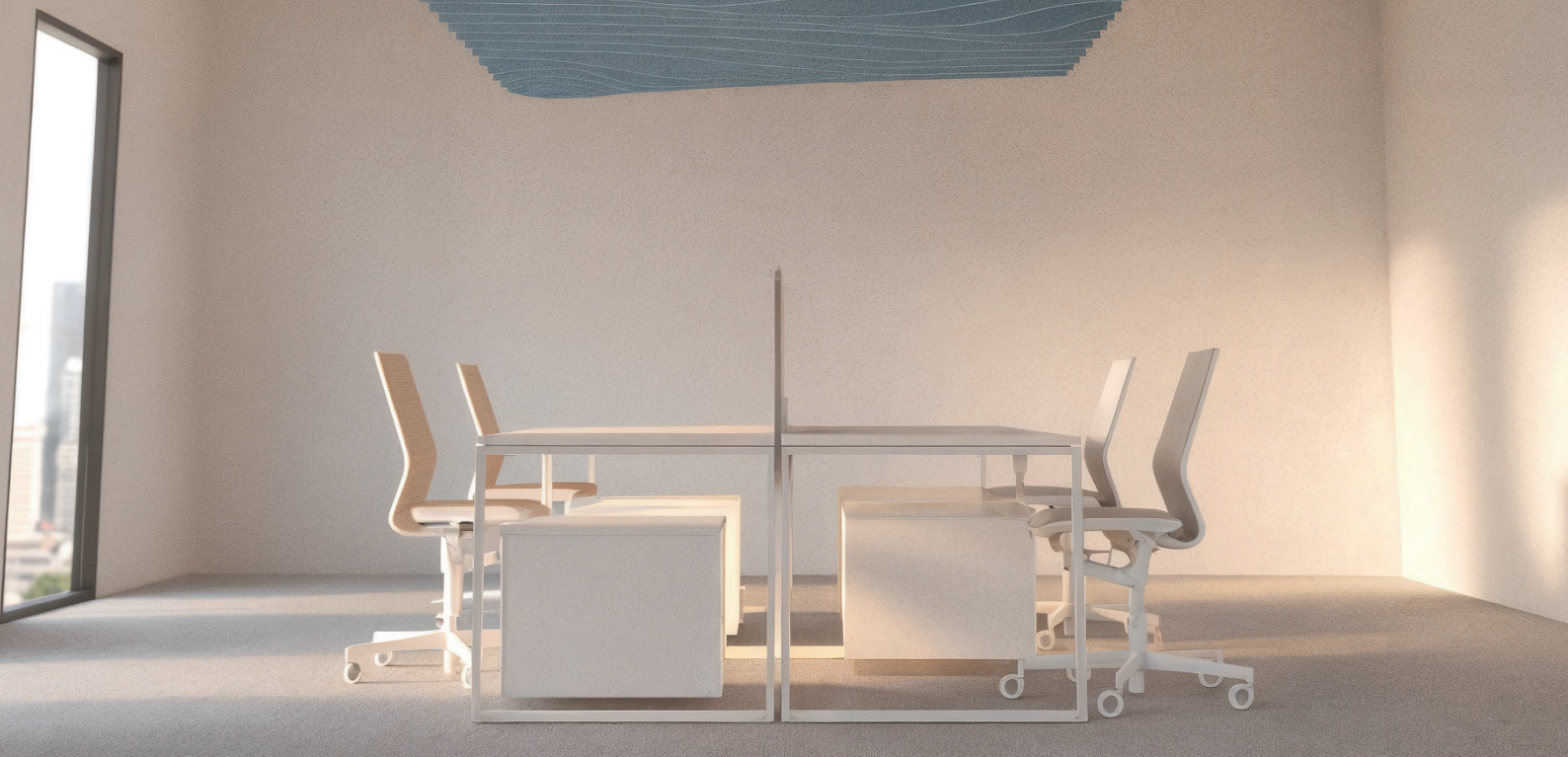


CEILING BAFFLES

# REEF



Reef is a flowing ceiling baffle system with soft, undulating curved blades. Its wave-like profile introduces a parametric look that makes the ceiling feel alive and in motion, combining striking design with effective sound absorption. Ideal for workplaces, education settings and public interiors looking for a sense of movement and calm overhead.

For technical support or further advice, contact:

[hello@ecousta.com](mailto:hello@ecousta.com) | +44 (0)1273 750 240

 **ecousta**  
Sustainable Acoustic Solutions

**DISCLAIMER**

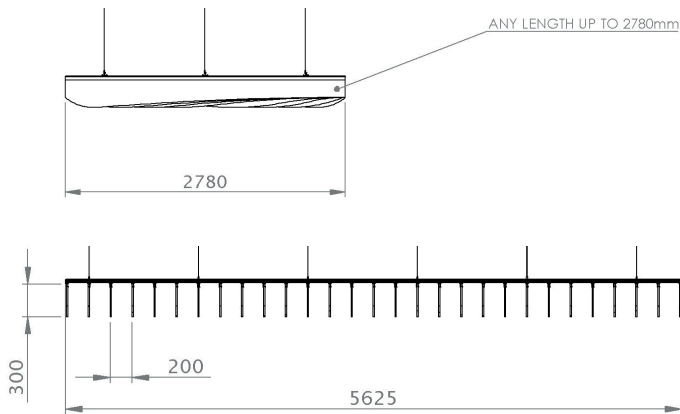
This guide is provided in good faith to assist in installation. It is not intended as a complete or prescriptive method. ECOUSTA accepts no responsibility for results due to variations in site conditions, handling or application. All health and safety standards must be observed.

# COLOUR RANGE

12mm & 24mm



# SCHEMATIC



- **Fluid Curved Blades** - Soft, undulating cuts create a sense of movement and a parametric aesthetic overhead.
- **Customisable Profiles** - Depth, spacing and curve can be tailored to your project's rhythm and scale.
- **Acoustic Comfort** - Crafted from recycled Ecoutex™ PET for high-performance sound absorption.
- **Organic Design Impact** - Adds a sculptural, flowing dimension to otherwise flat ceilings.
- **Sustainable Choice** - Ecoutex™ is recyclable, low-VOC and third-party verified to help meet sustainability targets.

# SPECIFICATIONS



## COMPOSITION

100% Polythene Terephthalate. 75% Post consumer waste, 25% virgin Bico fibre.



## DIMENSIONS

Manufactured for 12 and 24mm PET. Product dimensions subject to specification.



## COLOURS

160 Colours available. 47 colours from stock. Lead times and MOQs may apply. Light fastness: 6-7 excellent.



## ECOUTEX ACOUSTIC RESULTS

THICKNESS	RESULT TYPE	NO AIR GAP	50MM AIR GAP	100MM AIR GAP	200MM AIR GAP
12mm	aw rating	0.25	0.65	0.9	0.95
	SAA rating - NRC Replacement	0.41	0.76	0.87	0.92
	Absorption Class	E	C	A	A
24mm	aw rating	0.5	0.85	1	1
	SAA rating - NRC Replacement	0.7	0.89	0.94	0.97
	Absorption Class	D	B	A	A



## FIRE & HEAT

**Fire retardant:**  
EN 13501-1: 2018 Classification  
B-s1, d0  
Recommended Service Temp: Up to 80°C

COMPREHENSIVE TECHNICAL DOCUMENTATION ON REQUEST

For technical support or further advice, contact:

hello@ecousta.com | +44 (0)1273 750 240

**ecousta**  
Sustainable Acoustic Solutions

### DISCLAIMER

This guide is provided in good faith to assist in installation. It is not intended as a complete or prescriptive method. ECOUSTA accepts no responsibility for results due to variations in site conditions, handling or application. All health and safety standards must be observed.

