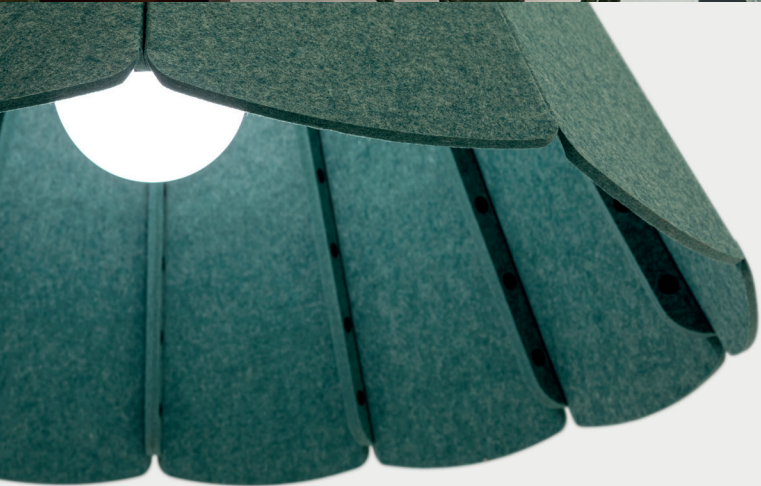


BLOOM

ACOUSTIC LIGHTING



A contemporary reinterpretation of the classic French drum light, Bloom features beautifully cut petals with softly sculpted edges, bringing a refined, residential sense of elegance to modern interiors.

Crafted in the UK from our signature Ecoutex™ - a high-performance acoustic PET material made from 75% post-consumer recycled plastic bottles - Bloom delivers outstanding sound absorption with soft diffusion.

Tactile, sustainable, and acoustically tested, Ecoutex™ is fully recyclable.

For technical support or further advice, contact:

hello@ecousta.com | +44 (0)1273 750 240

 **ecousta**
Sustainable Acoustic Solutions

DISCLAIMER

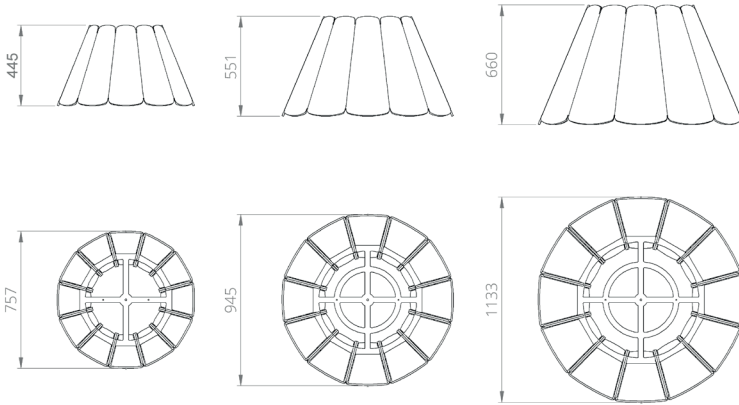
This guide is provided in good faith to assist in installation. It is not intended as a complete or prescriptive method. ECOUSTA accepts no responsibility for results due to variations in site conditions, handling or application. All health and safety standards must be observed.

COLOUR RANGE

9mm



SCHEMATIC



- Made from 9mm Ecoutex™, with 75% recycled PET
- Available in 47 UK-stocked colours (160 available on request)
- Offered in three sizes: Medium, Large, X-Large
- Includes 2m suspension kit, ceiling fixing, and adjustment clutch
- Supplied with black braided 3-core 0.75mm flex (standard 2m length) Custom colours and lengths available
- Finished with black aluminium frame
Custom powder coat colours available on request
- Delivered pre-assembled for simple installation

Light Source

- Supplied with E27 screw-base lampholder in black
- Light source not included
- Recommended bulbs:
 - Tala M-Porcelain III
 - Tala L-Sphere IV
 - Tala XL-Sphere V

SPECIFICATIONS



COMPOSITION

100% Polythene Terephthalate. 75% Post consumer waste, 25% virgin Bico fibre.



DIMENSIONS

Manufactured for 9mm PET.
Product dimensions subject to specification.



COLOURS

160 Colours available. 47 colours from stock. Lead times and MOQs may apply. Light fastness: 6-7 excellent.



ECOUTEX ACOUSTIC RESULTS

THICKNESS	RESULT TYPE	NO AIR GAP	50MM AIR GAP	100MM AIR GAP	200MM AIR GAP
12mm	aw rating	0.25	0.65	0.9	0.95
	SAA rating - NRC Replacement	0.41	0.76	0.87	0.92
	Absorption Class	E	C	A	A
24mm	aw rating	0.5	0.85	1	1
	SAA rating - NRC Replacement	0.7	0.89	0.94	0.97
	Absorption Class	D	B	A	A



FIRE & HEAT

Fire retardant:

EN 13501-1: 2018 Classification
B-s1, d0
Recommended Service Temp: Up to 80°C

COMPREHENSIVE TECHNICAL DOCUMENTATION ON REQUEST

For technical support or further advice, contact:

hello@ecousta.com | +44 (0)1273 750 240



DISCLAIMER

This guide is provided in good faith to assist in installation. It is not intended as a complete or prescriptive method. ECOUSTA accepts no responsibility for results due to variations in site conditions, handling or application. All health and safety standards must be observed.

