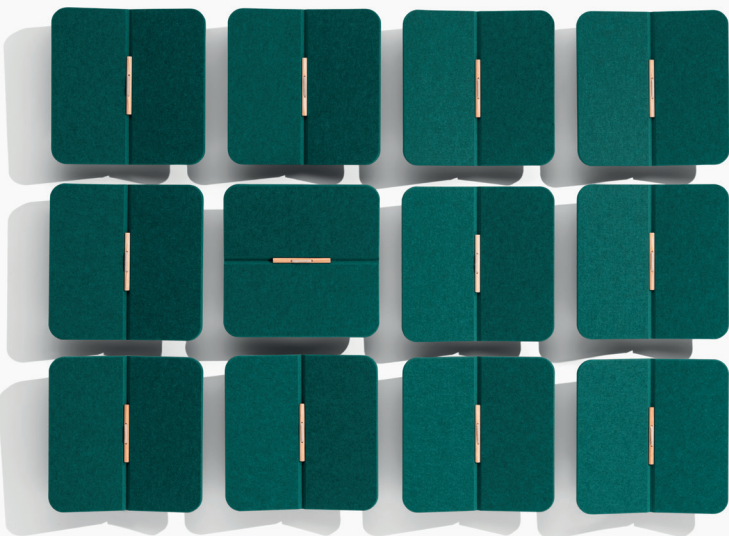


CONTOUR 3D

WINGS



“Wings” presents a versatile acoustic wall mounted set of panels boasting an extensive array of applications. Crafted from Ecoutex™ PET, it not only possesses remarkable sound-absorbing attributes, but also achieves diffusion through its intelligently angled panes.

These panels can be effortlessly tailored to harmonise with any environment, culminating in an aesthetically pleasing ensemble. “Wings” serves as the conduit to breathe life into every imaginative concept. Elevate your selection by embracing hues from our meticulously curated 12mm Ecoutex™ PET palette, readily stocked and accessible in the UK.

For technical support or further advice, contact:

hello@ecousta.com | +44 (0)1273 750 240

 **ecousta**
Sustainable Acoustic Solutions

DISCLAIMER

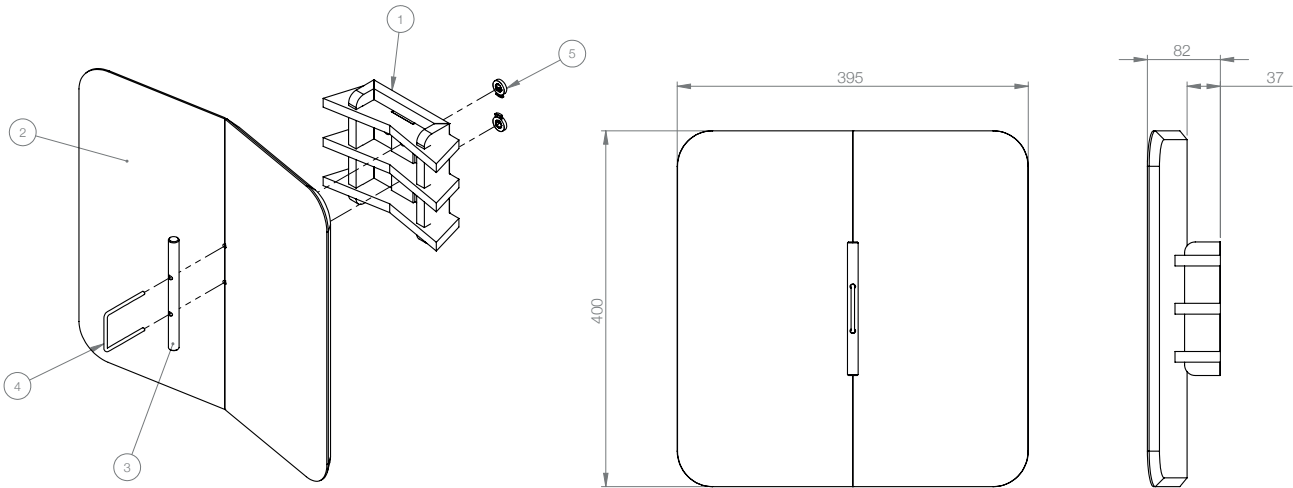
This guide is provided in good faith to assist in installation. It is not intended as a complete or prescriptive method. ECOUSTA accepts no responsibility for results due to variations in site conditions, handling or application. All health and safety standards must be observed.

COLOUR RANGE

12mm



SCHEMATIC



SPECIFICATIONS



COMPOSITION

100% Polythene Terephthalate. 75% Post consumer waste, 25% virgin Bico fibre.



DIMENSIONS

Manufactured for 12mm PET. Product dimensions subject to specification.



COLOURS

160 Colours available. 47 colours from stock. Lead times and MOQs may apply. Light fastness: 6-7 excellent.



ECOUTEX ACOUSTIC RESULTS

THICKNESS	RESULT TYPE	NO AIR GAP	50MM AIR GAP	100MM AIR GAP	200MM AIR GAP
12mm	aw rating	0.25	0.65	0.9	0.95
	SAA rating - NRC Replacement	0.41	0.76	0.87	0.92
	Absorption Class	E	C	A	A
24mm	aw rating	0.5	0.85	1	1
	SAA rating - NRC Replacement	0.7	0.89	0.94	0.97
	Absorption Class	D	B	A	A



FIRE & HEAT

Fire retardant:
EN 13501-1: 2018 Classification
B-s1, d0
Recommended Service Temp: Up to 80°C

COMPREHENSIVE TECHNICAL DOCUMENTATION ON REQUEST

For technical support or further advice, contact:

hello@ecousta.com | +44 (0)1273 750 240



DISCLAIMER

This guide is provided in good faith to assist in installation. It is not intended as a complete or prescriptive method. ECOUSTA accepts no responsibility for results due to variations in site conditions, handling or application. All health and safety standards must be observed.

