

FORMA RANGE

# PEAK



For technical support or further advice, contact:  
[hello@ecousta.com](mailto:hello@ecousta.com) | +44 (0)1273 750 240

 **ecousta**  
Sustainable Acoustic Solutions

**DISCLAIMER**

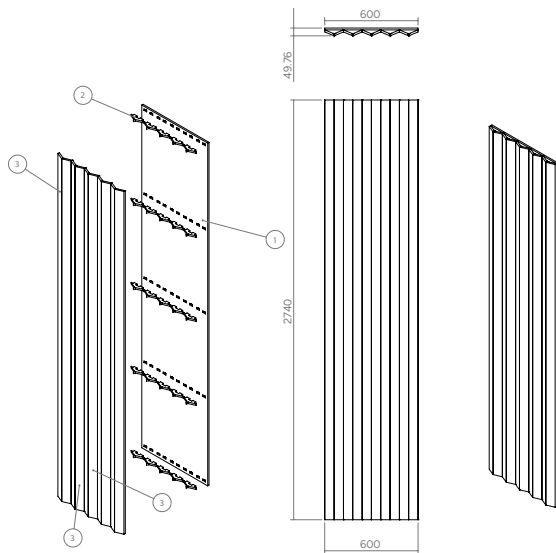
This guide is provided in good faith to assist in installation. It is not intended as a complete or prescriptive method. ECOUSTA accepts no responsibility for results due to variations in site conditions, handling or application. All health and safety standards must be observed.

# COLOUR RANGE

12mm



# SCHEMATIC



Designed by our talented in-house team, these panels feature a mesmerising 'Peak' pattern that can be used individually or seamlessly repeated across multiple installations, allowing you to create awe-inspiring, large-scale statement walls.

The versatility of Peak allows it to be used either vertically or horizontally, and it can be easily customised to any desired size using our efficient Zund CNC machine.

Infused with a perfect fusion of sustainability, acoustic performance, and artistic flair, our acoustic wall panels transform any space into a visually striking masterpiece while effectively reducing reverberation.

Sold as full sheets to be cut down onsite.

# SPECIFICATIONS



## COMPOSITION

100% Polythene Terephthalate. 75% Post consumer waste, 25% virgin Bico fibre.



## DIMENSIONS

Manufactured for 12mm PET. Product dimensions subject to specification.



## COLOURS

160 Colours available. 9 colours from stock. Lead times and MOQs may apply. Light fastness: 6-7 excellent.



## ECOUTEX ACOUSTIC RESULTS

THICKNESS	RESULT TYPE	NO AIR GAP	50MM AIR GAP	100MM AIR GAP	200MM AIR GAP
12mm	aw rating	0.25	0.65	0.9	0.95
	SAA rating - NRC Replacement	0.41	0.76	0.87	0.92
	Absorption Class	E	C	A	A
24mm	aw rating	0.5	0.85	1	1
	SAA rating - NRC Replacement	0.7	0.89	0.94	0.97
	Absorption Class	D	B	A	A



## FIRE & HEAT

**Fire retardant:**  
EN 13501-1: 2018 Classification  
B-s1, d0  
Recommended Service Temp: Up to 80°C

COMPREHENSIVE TECHNICAL DOCUMENTATION ON REQUEST

For technical support or further advice, contact:

[hello@ecousta.com](mailto:hello@ecousta.com) | +44 (0)1273 750 240



### DISCLAIMER

This guide is provided in good faith to assist in installation. It is not intended as a complete or prescriptive method. ECOUSTA accepts no responsibility for results due to variations in site conditions, handling or application. All health and safety standards must be observed.

