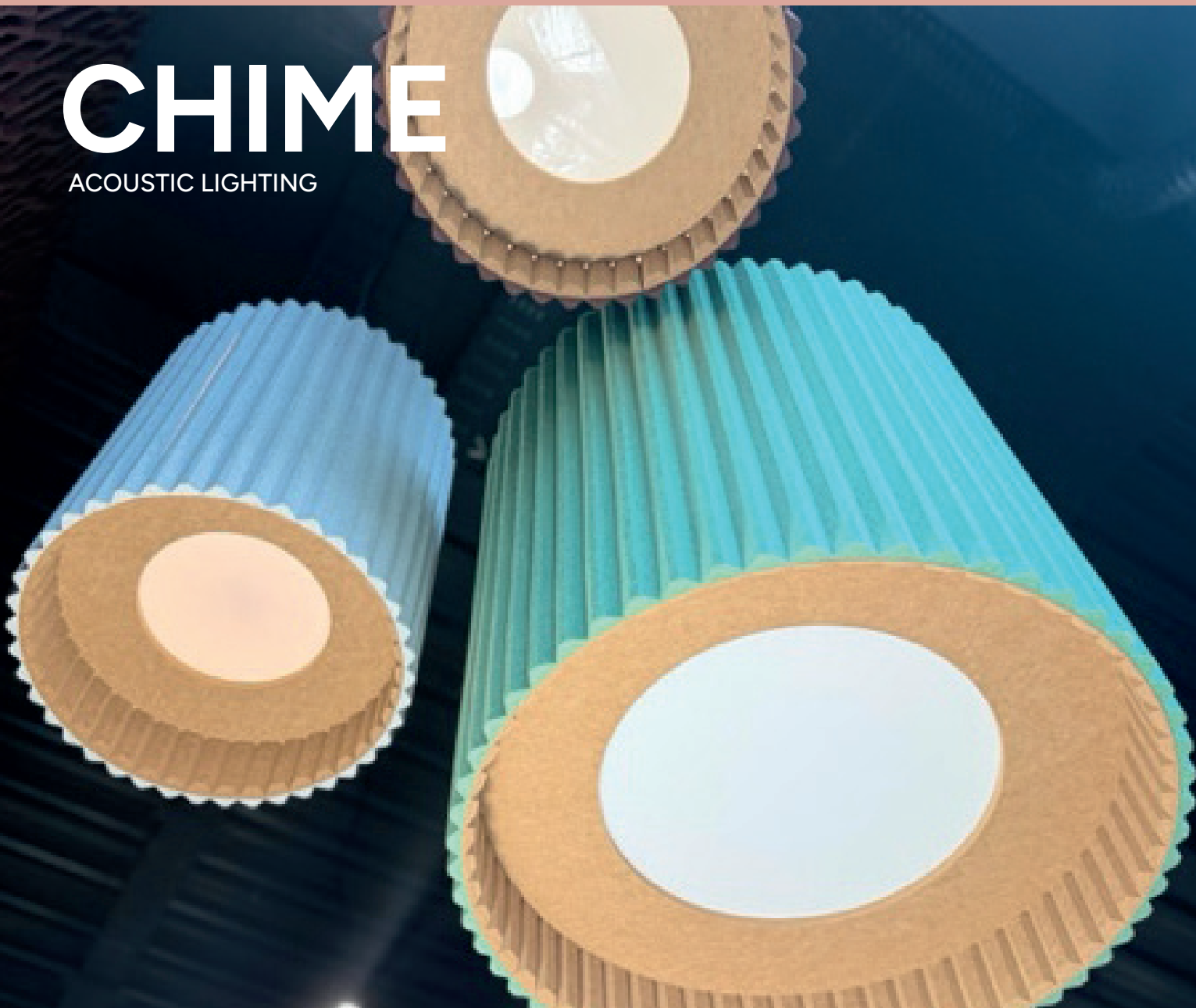


# CHIME

ACOUSTIC LIGHTING



A sculptural statement in both form and function, Chime is an acoustic light crafted from Lumii's UK-stocked, in-house Miixfelt™. Designed to balance beauty with performance, it emits a soft, ambient glow while absorbing sound, enhancing both atmosphere and acoustic comfort.

A subtly integrated bottom diffuser conceals the light source, softening the illumination and creating a gentle sense of calm, perfect for spaces that prioritise wellness and tranquility.

For technical support or further advice, contact:

[hello@ecousta.com](mailto:hello@ecousta.com) | +44 (0)1273 750 240

 **ecousta**  
Sustainable Acoustic Solutions

#### DISCLAIMER

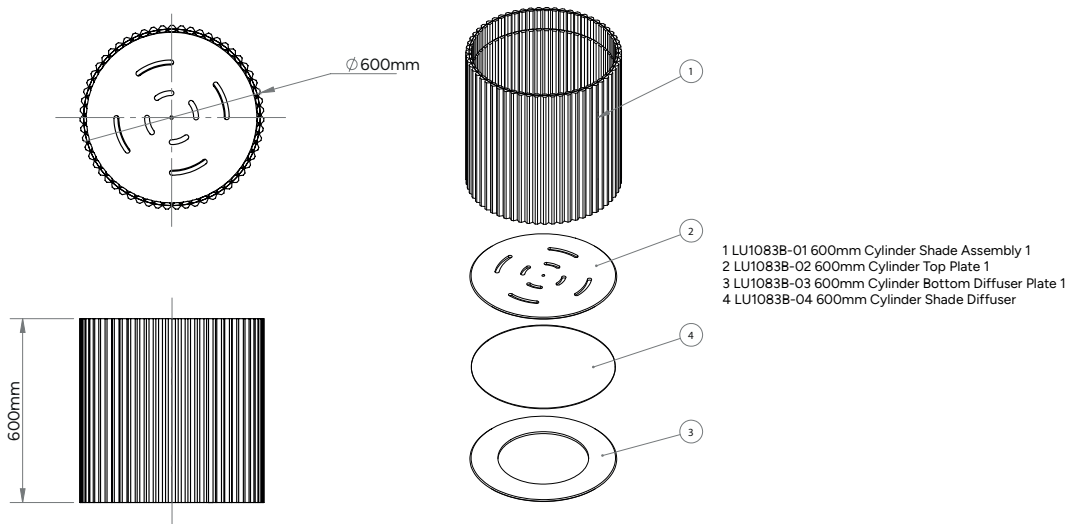
This guide is provided in good faith to assist in installation. It is not intended as a complete or prescriptive method. ECOUSTA accepts no responsibility for results due to variations in site conditions, handling or application. All health and safety standards must be observed.

# COLOUR RANGE

12mm



# SCHEMATIC



# SPECIFICATIONS



## COMPOSITION

100% Polythene Terephthalate. 75% Post consumer waste, 25% virgin Bico fibre.



## DIMENSIONS

Manufactured for 12mm PET. Product dimensions subject to specification.



## COLOURS

160 Colours available. 47 colours from stock. Lead times and MOQs may apply. Light fastness: 6-7 excellent.



## ECOUTEX ACOUSTIC RESULTS

THICKNESS	RESULT TYPE	NO AIR GAP	50MM AIR GAP	100MM AIR GAP	200MM AIR GAP
12mm	aw rating	0.25	0.65	0.9	0.95
	SAA rating - NRC Replacement	0.41	0.76	0.87	0.92
	Absorption Class	E	C	A	A
24mm	aw rating	0.5	0.85	1	1
	SAA rating - NRC Replacement	0.7	0.89	0.94	0.97
	Absorption Class	D	B	A	A



## FIRE & HEAT

**Fire retardant:**  
EN 13501-1: 2018 Classification  
B-s1, d0  
Recommended Service Temp: Up to 80°C

COMPREHENSIVE TECHNICAL DOCUMENTATION ON REQUEST

For technical support or further advice, contact:

hello@ecousta.com | +44 (0)1273 750 240



### DISCLAIMER

This guide is provided in good faith to assist in installation. It is not intended as a complete or prescriptive method. ECOUSTA accepts no responsibility for results due to variations in site conditions, handling or application. All health and safety standards must be observed.

