

HANGING PANELS

CHEVRON

THE ART DECO COLLECTION

Our suspended acoustic screens are a thoughtful and sustainable choice, elevating any area into an oasis of productivity and wellbeing. Transform your space into a haven for success and contentment.

For technical support or further advice, contact:

hello@ecousta.com | +44 (0)1273 750 240

 **ecousta**
Sustainable Acoustic Solutions

DISCLAIMER

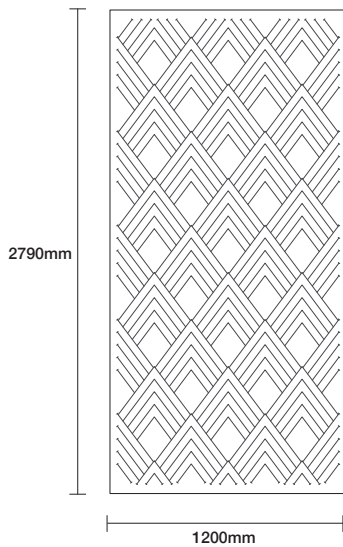
This guide is provided in good faith to assist in installation. It is not intended as a complete or prescriptive method. ECOUSTA accepts no responsibility for results due to variations in site conditions, handling or application. All health and safety standards must be observed.

COLOUR RANGE

12mm & 24mm



SCHEMATIC



- Customisable panels can be crafted from your own designs for a personalised touch.
- An exciting range of designs that add visual interest, texture, and creativity
- Easily suspended from ceilings to create dividing walls
- Fully recyclable at the end of its life, promoting sustainability.
- Designed and manufactured in the UK, ensuring quality and ethical practices.
- Resistant to moisture, mould, and mildew, guaranteeing durability.
- Free from formaldehyde binders, ensuring a healthier indoor environment.
- Low VOCs (Volatile Organic Compounds), promoting better air quality.
- In-house production facilitates fast lead times and complete creative control.
- ASTM E84-16 - Class A

SPECIFICATIONS



COMPOSITION

100% Polythene Terephthalate. 75% Post consumer waste, 25% virgin Bico fibre.



DIMENSIONS

Manufactured for 12 and 24mm PET. Product dimensions subject to specification.



COLOURS

160 Colours available. 47 colours from stock. Lead times and MOQs may apply. Light fastness: 6-7 excellent.



ECOUTEX ACOUSTIC RESULTS

THICKNESS	RESULT TYPE	NO AIR GAP	50MM AIR GAP	100MM AIR GAP	200MM AIR GAP
12mm	aw rating	0.25	0.65	0.9	0.95
	SAA rating - NRC Replacement	0.41	0.76	0.87	0.92
	Absorption Class	E	C	A	A
24mm	aw rating	0.5	0.85	1	1
	SAA rating - NRC Replacement	0.7	0.89	0.94	0.97
	Absorption Class	D	B	A	A



FIRE & HEAT

Fire retardant:
EN 13501-1: 2018 Classification
B-s1, d0
Recommended Service Temp: Up to 80°C

COMPREHENSIVE TECHNICAL DOCUMENTATION ON REQUEST

For technical support or further advice, contact:

hello@ecousta.com | +44 (0)1273 750 240

 Sustainable Acoustic Solutions

DISCLAIMER

This guide is provided in good faith to assist in installation. It is not intended as a complete or prescriptive method. ECOUSTA accepts no responsibility for results due to variations in site conditions, handling or application. All health and safety standards must be observed.

